

MAT-5G-PA-SM-3-06-3m Series

Wireless MIMO panel antennas with 3 SMA (male) connectors for cellular and GNSS applications



Features and Benefits

- Supports all global LTE bands
- 3-in-1 LTE+GNSS combination design
- High-gain antenna to enhance performance
- Flexible installation
- 3-meter cable
- SMA connector (male) supported

Introduction

The MAT-5G-PA-SM-3-06-3m Series is a 3-in-1 panel antenna suitable for GSM, UMTS, LTE, 5G NR bands, GPS, GLONASS, and BDS systems. The antenna provides a gain of 6 dBi and is designed to operate in temperatures ranging from -40 to 85°C.

Specifications

Antenna Characteristics

Frequency	Cellular: 617 to 960, 1427 to 1510, 1710 to 2170, 2300 to 2690 MHz GNSS: 1561.00, 1575.42, 1602.00 MHz
Antenna Type	Panel
Typical Antenna Gain	Cellular: 2.64 dBi @ 617 to 698 MHz (5G NR n71) 5.23 dBi @ 698 to 824 MHz (LTE 700) 4.73 dBi @ 824 to 960 MHz (GSM 850/900) 6.66 dBi @ 1427 to 1510 MHz (5G NR n74,75,76) 6.14 dBi @ 1710 to 1880 MHz (DCS) 5.92 dBi @ 1850 to 1990 MHz (PCS) 5.92 dBi @ 1920 to 2170 MHz (UMTS1) 5.54 dBi @ 2300 to 2690 MHz (LTE 2600) GNSS: 1.21 dBi @ 1561.00 MHz (BDS) 1.29 dBi @ 1575.42 MHz (GPS) 1.44 dBi @ 1602.00 MHz (GLONASS) With low noise amplifier: 30 dB
Connector	SMA (male)
Impedance	50 ohms
Polarization	Linear Vertical

Physical Characteristics

Dimensions	135.95 x 135.95 x 47.44 mm (5.35 x 5.35 x 1.87 in)
Radome Material	Plastic
Radome Color	Black
Installation	Screw mount
Cable	SNC200
Cable Length	3 m
IP Rating	IPx9K

Environmental Limits

Operating Temperature	-40 to 85°C (-40 to 185°F)
Storage Temperature (package included)	-40 to 85°C (-40 to 185°F)
Ambient Relative Humidity	5 to 95% (30°C, non-condensing)

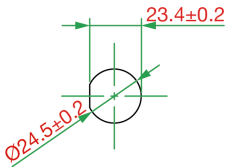
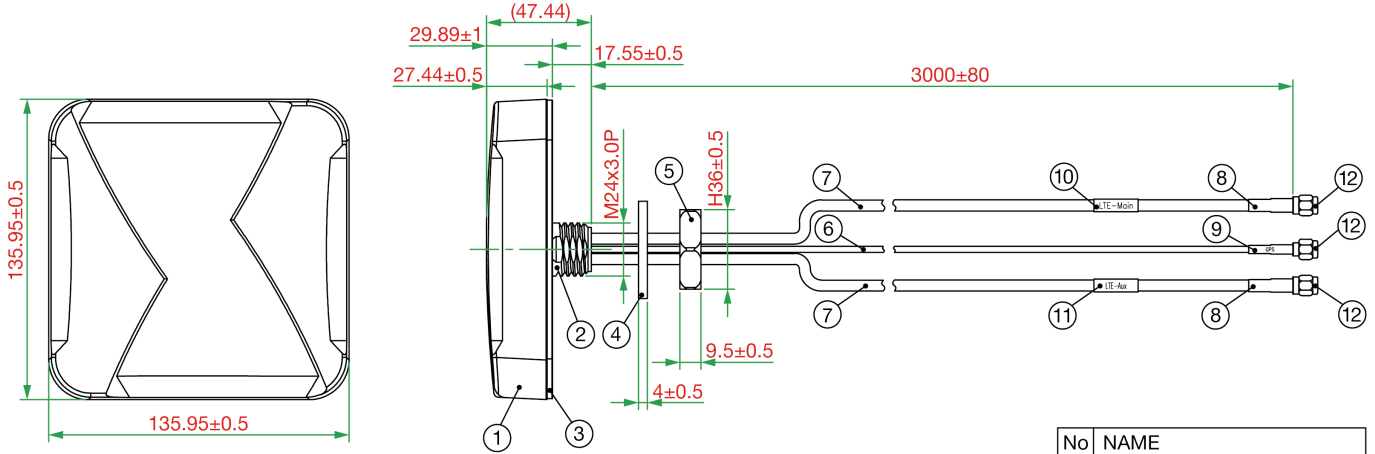
Warranty

Warranty Period	1 year
Details	See www.moxa.com/warranty

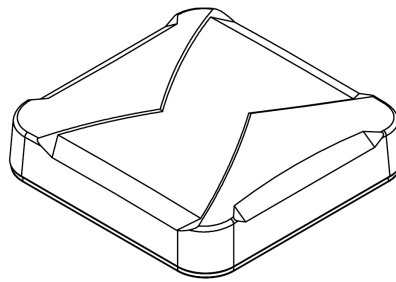
Dimensions

DIN-rail Mount

Unit: mm



Recommend assembly
hole diameter
Recommended installation torque:
50.00 kgf-cm



3D View

No	NAME
1	Top Housing
2	Bottom Base
3	Adhesive
4	Washer
5	Nut
6	Cable H100
7	Cable SNC200
8	Heat Shrink Tube
9	GPS Heat Shrink Tube
10	LTE-Main Heat Shrink Tube
11	LTE-Aux Heat Shrink Tube
12	SMA Straight Plug Crimp

Ordering Information

Model Name	Frequency	Antenna Type	Antenna Gain	Connector Type
MAT-5G-PA-SM-3-06-3m	617 to 960 MHz, 1427 to 1510 MHz, 1710 to 2170 MHz, 2300 to 2690 MHz, 1561.00 MHz, 1575.42 MHz, 1602.00 MHz	Panel	6 dBi	SMA (male)

© Moxa Inc. All rights reserved. Updated May 23, 2023.

This document and any portion thereof may not be reproduced or used in any manner whatsoever without the express written permission of Moxa Inc. Product specifications subject to change without notice. Visit our website for the most up-to-date product information.