

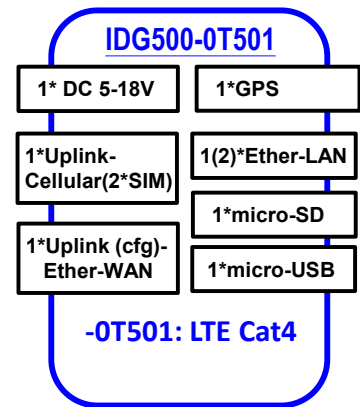


## 4G/5G Data Connectivity IDG500-0T501 4G GigaWAN Extender

### Functions:

- Expanding LTE based WAN connection for various IP networks at instant, including enterprise , industry, surveillance , WiFi hotspot network.
- To be primarily or backup WAN for IP network enhances connection. It can expand fail-over for network at single WAN between LTE and Ether-WAN. There are dual SIMs for single LTE to achieve ISP fail-over when primarily fail(\*)
- Compact and easy to be integrated into solution. High speed device covers LTE Cat4 and with two ports Giga LAN . GPS enables location tracking. Micro-SD used for log storage. Micro-USB for future expansion.
- Capable of rich VPN tunnel technology and high throughput up to 150Mbps can build VPN tunnel between IP network/network device with remote center or allow clients to connect in for secure data transmission.
- Cellular toolkit simplifies setting and utilizes ISP service. Data usage monitoring for budget control. Self-defined SMS commands for easy and quick management.
- Both IPv4/IPv6 protocol stack meet ISP requirement. Gateway base on IP pass through or DHCP based NAT with Port Forwarding. Rich Routing function covers static, dynamic and OSPF compatible with most IP network.
- Web-UI for basic setting. CLI and Command Script for advance setting. TR-069 used with AMIT-NMS for multi-site management. SNMP used for popular network tools management.

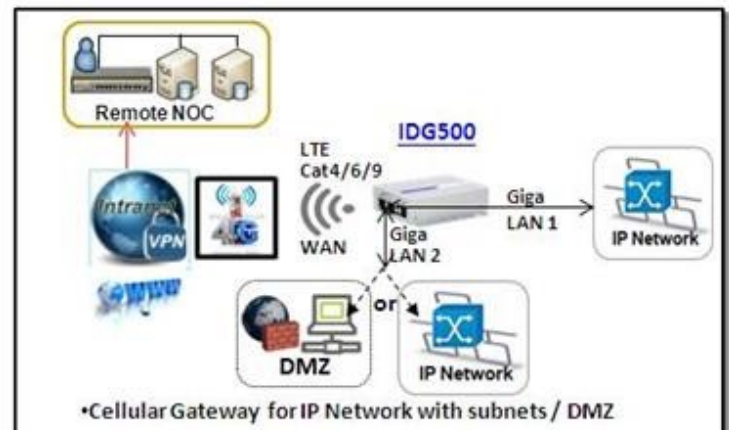
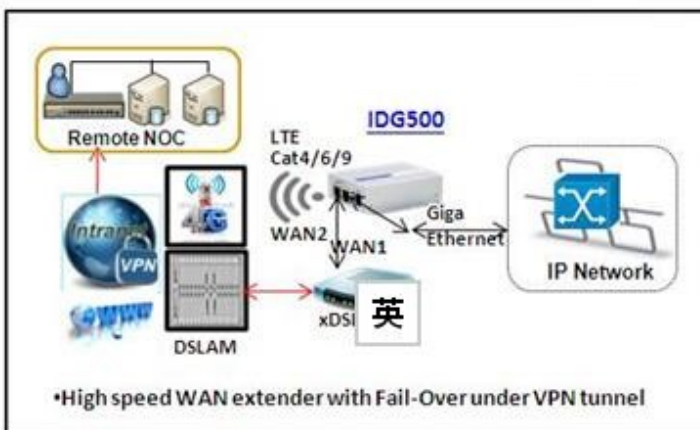
### Block Diagram:



### Application:

- SMB data center network backup
- Remote branch network
- Surveillance network
- High speed video server

### Connection Diagram:



\* The SIM failover scenario is limited to AT&T, Verizon and T-Mobile mobile networks in the US.

# Specification Summary

## Device Interface

- **LTE Module:** 1\*LTE-Cat.4, 2\*SIM
- **Ethernet:** 1(2)\*RJ45 GbE
- **Log Storage:** 1\*MicroSD, 1\*MicroUSB
- **Power Input:** 1\* DC 5V ~ 18V (DC Jack)
- **Antenna Con.:** 2\*SMA (F)-LTE, 1\* SMA(F)-GPS

## WAN & Uplink

- **WAN:** Cellular, Ether-WAN; Failover,
- **Cellular:** 2G/3G/LTE, IP Pass-through, IPv4/v6
- **Ether-WAN:** Dynamic IP, Static IP, PPPoE, PPTP, L2TP
- **Network Monitor:** ICMP/DNS Query

## Protocol

- **LAN & VLAN:** DHCP Server/Relay, Port/Tag based VLAN
- **IPv6\*:** Dual Stack, Static IPv6, DHCPv6, PPPoEv6
- **Port Forward:** Virtual Server, Virtual Computer, DMZ, VPN Pass-through
- **Routing:** Static, Dynamic - RIP1/RIP2, OSPF, BGP

## Object

- **Scheduling:** Time Schedule List
- **Grouping:** Host Grouping List
- **Ext. Server:** Email, Syslog, RADIUS, SCEP, FTP, DDNS, IGMP
- **Certificate:** My Certificate, Trusted Certificate, Issue Certificate

## Security

- **VPN Tunneling:** IPSec, OpenVPN, PPTP, L2TP, GRE
- **Scenario:** Site/Host to Site/Host; Hub and Spoke; Dynamic VPN
- **VPN Capability:** IPSec: up to 3 tunnels
- **Firewall:** SPI Firewall with Stealth Mode, IPS
- **Access Control:** Packet Filter, URL Blocking, MAC Filter

## Administration

- **Config & Mgmt.:** Web, Telnet & SSL, Command Script, SNMPv3 Std. & Proprietary MIB, TR069, Python\*
- **System:** Upgrade, Backup & Restore, Reboot & Reset, SysLog
- **Diagnostic:** Packet Analyzer, Diagnostic Tools

## Service

- **Cellular Toolkit:** Data Usage, SMS, SIM PIN, USSD, Network Scan
- **Event Handling:** User Defined Manage/Notify Event; SMS, Mail, Syslog, SNMP Trap
- **GNSS\*:** GPS Location Tracking / Viewer

## Environment

- **Operation Temperature:** -22°F-158°F (-30°C-70°C)
- **Storage Temperature:** -40°F-185°F (-40°C-85°C)
- **Humidity:** 10%~95% (non-condensing)
- **Enclosure:** Metal, Mounting Tab
- **Dimension:** 90(L)x93(W)x27(H)mm (exclude antenna connectors)  
90(L)x101(W)x27(H)mm (include antenna connectors)

## Certification & Carrier Approval

- FCC
- AT&T(\*)
- Verizon(\*)

## Package Accessory

- 1\*IDG500-0T501
- 2\*Cellular Antenna (3dBi)
- 1\*Power Adapter DC 5V/2A
- 1\*DC Jack to Terminal Block Adaptor
- 1\*Info Card (User Manual)

## Mechanic Drawing



Front View



Rear View

## SKU Information

**IDG500-0T501-00-yy : LTE Cat.4**

'yy' is referred to the SKU code in the table

SKU Code	Country	Mobile Operator	LTE Band	WCDMA Band	GSM Band
U0	USA	AT&T, Verizon, T-Mobile	B2/B4/B5/B12/B13/B14/B66	B2/B4/B5	-

### Note

- Specifications are subject to change without prior notice.
- This product builds with a AT&T and Verizon certified LTE socket modem - MDG100.

## NETEON TECHNOLOGIES

TEL: +1-732-568-1988 FAX: +1-732-568-1992

Web: <http://www.neteon.net> Email: [sales@neteon.net](mailto:sales@neteon.net)

825 Georges Rd. Floor 1 3B, North Brunswick, NJ 08902