

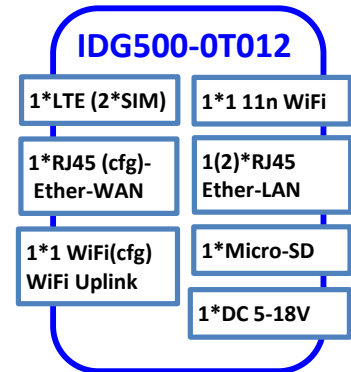


4G/5G Data Connectivity IDG500-0T012 4G WAN Extender

Main Feature

- Expanding LTE-based WAN connection for various IP networks at instant, including enterprise, industry, surveillance, or WiFi hotspot network.
- To be primary or backup WAN for IP network enhances connection. It can expand fail-over for network at single WAN between LTE and Ether-WAN. There are dual SIMs for single LTE to achieve ISP fail-over when primarily fail(*).
- Compact and easy to be integrated into a legacy solution. High speed device built with LTE Cat-4 which its download speed can be up to 150Mbps and two Fast Ethernet ports. Micro-SD is used for data logging.
- Capable of rich VPN tunnel technologies and it can build VPN tunnel between IP network/network device with remote center or allow clients to connect in for secure data transmission.
- Cellular toolkit simplifies setting and utilizes ISP service. Mobile data usage monitoring for budget control. Self-defined SMS commands for easy and quick management.
- Both IPv4/IPv6 protocol stack meet ISP requirement. Gateway base on IP pass through or DHCP based NAT with Port Forwarding. Rich Routing function covers static, dynamic and OSPF compatible with most IP network.
- Web-UI for basic setting. CLI and Command Script for advance setting. TR-069 used with AMIT-NMS for multi-site management. SNMP used for popular network tools management.

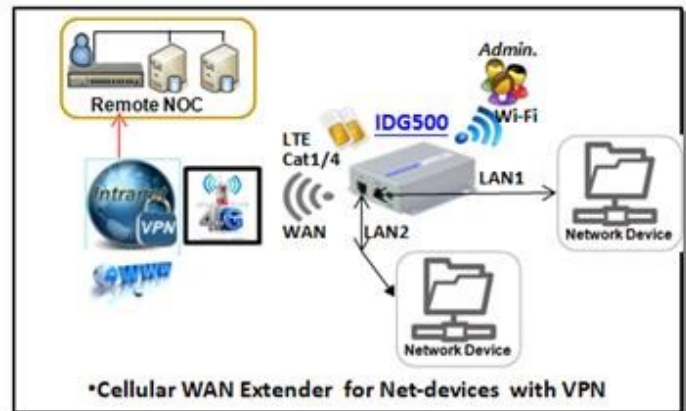
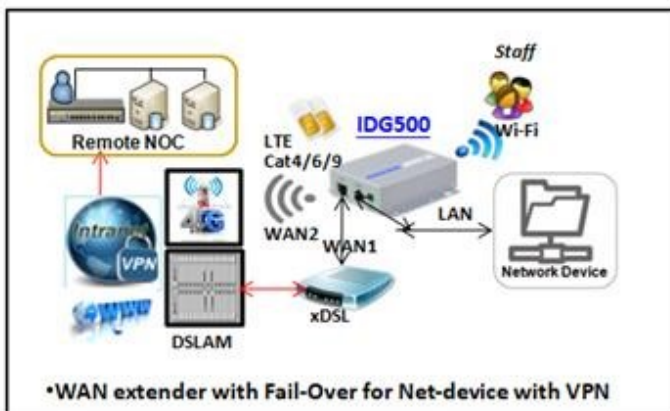
Block Diagram



Application

- SMB data center network backup
- Remote branch network
- Surveillance network
- Rural & mobile WiFi hotspot
- High speed video server

Connection Diagram



* The SIM failover scenario is limited to AT&T, Verizon and T-Mobile mobile networks in the US.

Specification Summary

Device Interface

- **LTE Module:** 1*LTE-Cat.4 3GPP Release 11, 2* MicroSIM (3FF) slots
- **Ethernet:** 2*RJ45 Fast Ethernet
- **WiFi:** 1x1 802.11b/g/n
- **Log Storage:** 1*MicroSD slot
- **Power Input:** 1* DC 5V-18V (DC Jack)
- **Antenna Con.:** 2*SMA for LTE, 1*R-SMA for WiFi

WAN & Uplink

- **WAN:** Cellular, Ether-WAN, WiFi as WAN
- **Cellular:** 2G/3G/LTE(*), IP Pass-through
- **Ether-WAN:** Dynamic IP, Static IP, PPPoE, PPTP, L2TP
- **Network Monitor:** ICMP/DNS Query

WiFi

- **Standard:** IEEE 802.11b/g/n
- **Mode:** AP Router
- **Functions:** Multi-SSID, WMM
- **Security:** WEP, WPA, WPA2, WPA-PSK, WPA2-PSK, 802.1x

Protocol

- **LAN & VLAN:** DHCP Server/Relay, Port/Tag based VLAN
- **IPv6*:** Dual Stack, Static IPv6, DHCPv6, PPPoEv6
- **Port Forward:** Virtual Server, Virtual Computer, DMZ, VPN Pass-through
- **Routing:** Static, Dynamic - RIP1/RIP2, OSPF, BGP

Security

- **VPN Tunneling:** IPsec, OpenVPN, PPTP, L2TP, GRE
- **VPN Capability:** IPsec: up to 3 tunnels
- **Firewall:** SPI Firewall with Stealth Mode, IPS
- **Access Control:** Packet Filter, URL Blocking, MAC Filter

Administration

- **Config & Mgmt.:** Web, Telnet & SSL, Command Script, SNMPv3 Std. & Proprietary MIB, TR069
- **System:** Upgrade, Backup & Restore, Reboot & Reset, SysLog
- **Diagnostic:** Packet Analyzer, Diagnostic Tools

Service

- **Cellular Toolkit:** Data Usage, SMS, SIM PIN, USSD, Network Scan
- **Event Handling:** User Defined Manage/Notify Event; SMS, Mail, Syslog, SNMP Trap, System HW

Environment

- **Operation Temperature:** -22°F-158°F (-30°C-70°C)
- **Storage Temperature:** -40°F-185°F (-40°C-85°C)
- **Humidity:** 10%~95% (non-condensing)
- **Enclosure:** Metal, Mounting Tab
- **Dimension:** 90(L)x93(W)x27(H)mm (exclude antenna connectors)
90(L)x101(W)x27(H)mm (include antenna connectors)

Certification & Carrier Approval

- FCC
- AT&T(*)
- Verizon(*)

Package Accessory

- 1*IDG500-0T012
- 2*Cellular Antenna (3dBi)
- 1*WiFi Antenna (3dBi)
- 1*Power Adapter DC 5V/2A
- 1*Info Card (User Manual)

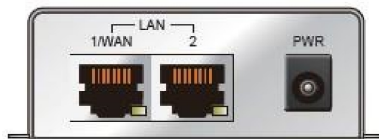
NETEON TECHNOLOGIES

TEL: +1-732-568-1988 FAX: +1-732-568-1992

Web: <http://www.neteon.net> Email: sales@neteon.net

825 Georges Rd. Floor 1 3B, North Brunswick, NJ 08902

Mechanic Drawing



Front View



Rear View

SKU Information

IDG500-0T012-00-yy : LTE Cat.4

'yy' is referred to the SKU code in the table

SKU Code	Country	Mobile Operator	LTE Band	WCDMA Band	GSM Band
U0	USA	AT&T, Verizon, T-Mobile	B2/B4/B5/B12/B13/B14/B66	B2/B4/B5	-

Note

- Specifications are subject to change without prior notice.
- This product builds with a AT&T and Verizon certified LTE socket modem - MDG100.

NETEON TECHNOLOGIES

TEL: +1-732-568-1988 FAX: +1-732-568-1992

Web: <http://www.neteon.net> Email: sales@neteon.net

825 Georges Rd. Floor 1 3B, North Brunswick, NJ 08902